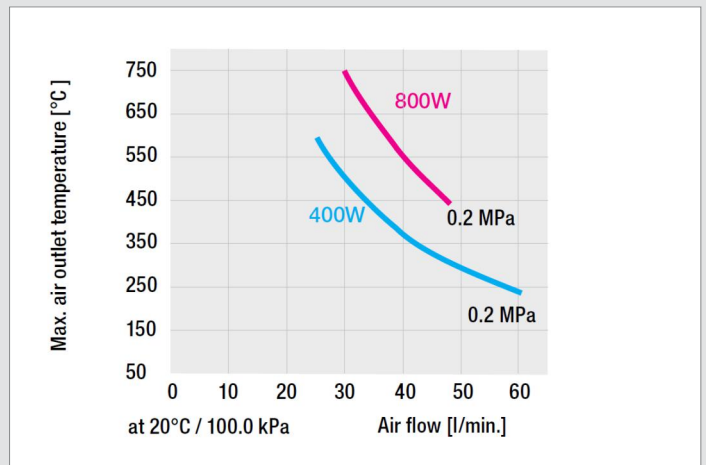




LE MINI & MINI SENSOR Air Heaters

The worlds smallest air heater with integrated temperature probe. The LE MINI is especially well suited for hot air riveting or in applications in which heat has to be applied with pinpoint accuracy. It fits easily into the most confined spaces. The LE MINI uses clean, dry compressed air up to 30 PSI. Two models and two power versions are available, with or without temperature sensor, in 400 and 800 watts.

- Extremely compact, robust built-in device
- Integrated device protection with alarm output
- Integrated temperature probe (LE MINI SENSOR)
- Integrated heating element protection (LE MINI SENSOR)
- Analogue interface to temperature controller (LE MINI SENSOR)
- Precise pinpoint application
- High process reliability



Technical Data

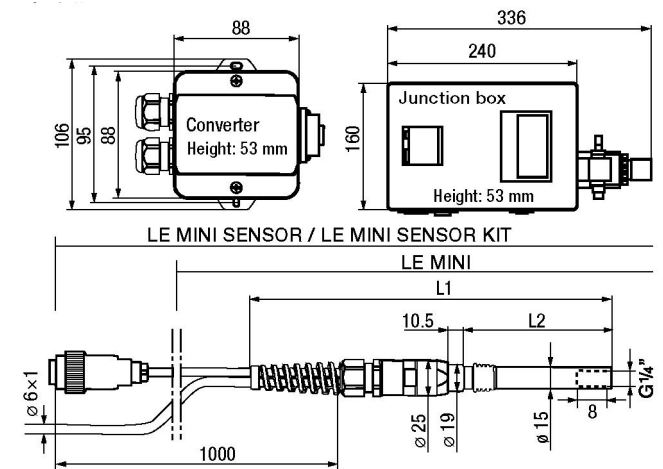
Model		LE MINI			LE MINI SENSOR		
		120	230	230	120	230	230
Voltage	V	120	230	230	120	230	230
Power consumption	W	400	400	800	400	400	800
Max. temperature	°C	600	600	750	600	600	750
Min. air flow	l/min	25	25	30	10	10	10
Max. pressure	psi	40	40	40	40	40	40
Size (L)	mm	253	253	308	253	253	308
Size (Dia.)	mm	27	27	27	27	27	27
Heater tube	mm	∅ 15	∅ 15	∅ 15	∅ 15	∅ 15	∅ 15
Weight	g	120	120	150	120	120	150
Approval markings	CE	CE	CE	CE	CE	CE	CE
Electrical protection	Class	Class II	Class II	Class II	Class II	Class II	Class II

Article No.:

115.683: LE MINI 120V / 400W
 115.682: LE MINI 230V / 400W
 115.369: LE MINI 230V / 800W

117.371: LE MINI SENSOR 120V / 400W
 117.370: LE MINI SENSOR 230V / 400W
 117.369: LE MINI SENSOR 230V / 800W

Installation dimensions in mm



LE MINI: Cable and hose lengths: 3 m
 LE MINI SENSOR: Hose length: 3 m

	L1	L2
Type 400	253	104
Type 800	308	159

LE MINI Accessories

					
105.624: Tubular nozzle Ø4 mm, 45 mm	107.145: Tubular nozzle Ø10, 45 mm	107.152: Tubular nozzle Ø12 mm, 25 x 50 mm	107.310: Sieve reflector 35 x 20 mm	107.311: Sieve reflector 50 x 34 mm	105.549: Wide slot nozzle 10 x 2 mm
					
105.559: Wide slot nozzle 20 x 2 mm	105.548: Wide slot nozzle 40 x 5 mm	105.547: Wide slot nozzle 50 x 8 mm	117.955: Nozzle adapter LE MINI (G1/4") to Ø21.3 mm	107.282: Flange connector Ø21.3 mm to Ø40 mm	