



WARNING



Danger! When opening up the tool, live components and connections are exposed. Therefore, before opening it, unplug the tool to ensure disconnection from the mains.



Incorrect installation and use of hot air tools can present a **fire and explosion hazard**.



CAUTION



The **voltage rating** stated on the tool should correspond to the mains voltage.



The tool should be earthed using a protective conductor.



Do not touch the element housing and nozzle when hot as they can cause **burns**. Do not point the hot air flow at people or animals.



Protect the tool from **damp and wet**.



The equipment should not be operated **without supervision**.

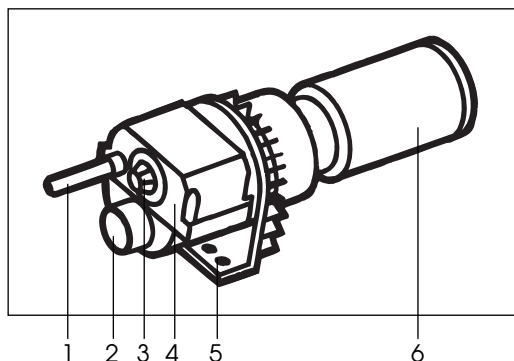
TEST SIGNS



TECHNICAL DATA

Voltage	V~	1 x 220	1 x 380–440	1 x 380–440	1 x 480
Frequency	Hz			50 / 60	
Capacity	kW	4,0	5,0–6,7	7,5–10,0	8,0
Minimum air flow	l/min	400	500–600	800–1000	900
Maximum temperature	°C	700	700	650	700
Ambient temperature	°C			<60	
Weight	kg			1,85	
Size	mm			318 x 108 x 112	

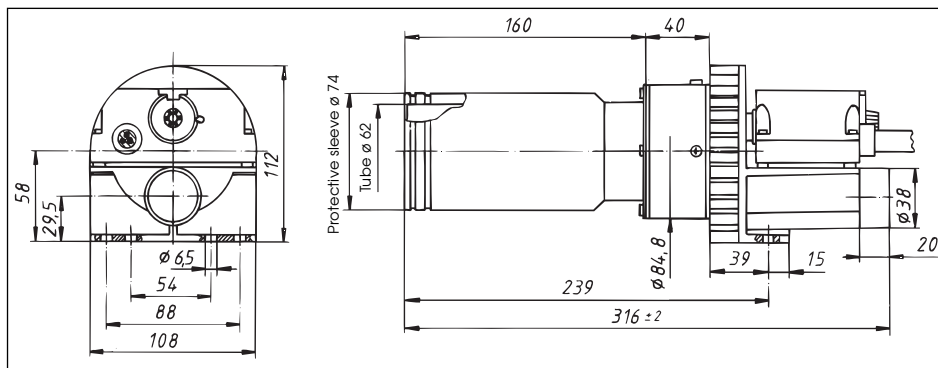
Description of tool



1. Protective sleeve for cable to mains
2. Air intake connection $\varnothing 38$
3. Potentiometer for temperature adjustment
4. Connection housing
5. Installation stand
6. Element housing with protective sleeve

Installation

- The tool should be fixed by using four M4 screws on the **installation stand (5)**.
 - When installing the tool, ensure that:
 - only cold air is sucked in
 - no (warm air) back pressure develops
 - the hot air tool is not in direct line of another hot air tool.
 - Protect the tool from vibration and shock.
- Installation dimensions in mm



Air supply

- LEISTER blowers must be used for the air supply (pay attention to the direction of rotation and the electrical connection).
- For use in a dusty environment the tool should be fitted with a LEISTER stainless steel filter on the air intake connection. Where a particularly critical dust problem exists (eg metal, electrically charged or damp dust) special filters must be used to avoid short circuiting the tool.
- The hot air tool should only be supplied with air up to a max. 50°C.
- The minimum air flow must be observed (see page 2).

Operation

- Connect tool to the mains.
- The mains connection cable should have the corresponding cross section area of conductor and should be fitted by a specialist.
- As required, push-fit appropriate nozzle or reflector.
- Adjust the hot air temperature via the **potentiometer (3)**.
- Make sure that the hot air can flow freely (fire hazard).
- The LEISTER Company, as well as the authorized Sales and Service Centres, offer advice and an introduction to the areas of application of hot air tools, free of charge (see page 1).
- After use, allow the tool to cool down by letting cold air flow through it (preventing warm air back pressure).

CAUTION:

- * *The mains connection should have a suitable **double pole isolator with a 3 mm distance between contacts**.*
- * *In the event of functional interference (eg caused by atmospheric disturbance or voltage fluctuations) the **minimum air flow** (page 2) must be adhered to, otherwise the tool could be damaged.*

ACCESSORIES

- Only LEISTER accessories should be used.
- Let the tool cool down before changing the nozzle or reflector.

SPECIAL FEATURES

- Temperature adjustment by external potentiometer.
- Temperature control by external DC voltage (VDC).
- Temperature control by additional LEISTER cascade controller (should only be fitted and adjusted by the LEISTER Company).

SERVICE AND REPAIR

- Repairs have to be carried out by authorised **LEISTER Service Centres** only. They guarantee a specialized and reliable **repair service within 24 hours** using original LEISTER spare parts.

GUARANTEE AND LIABILITY

- Guarantee and liability are in accordance with the guarantee certificate as well as with the currently valid general business and sales conditions.
- LEISTER Process Technologies rejects any guarantee claims for tools which are not in their original condition. The tools must never be altered or changed.

Technical data and specifications are subject to change without prior notice.

Your authorized Service Centre is: