

LEISTER LE 10000 S

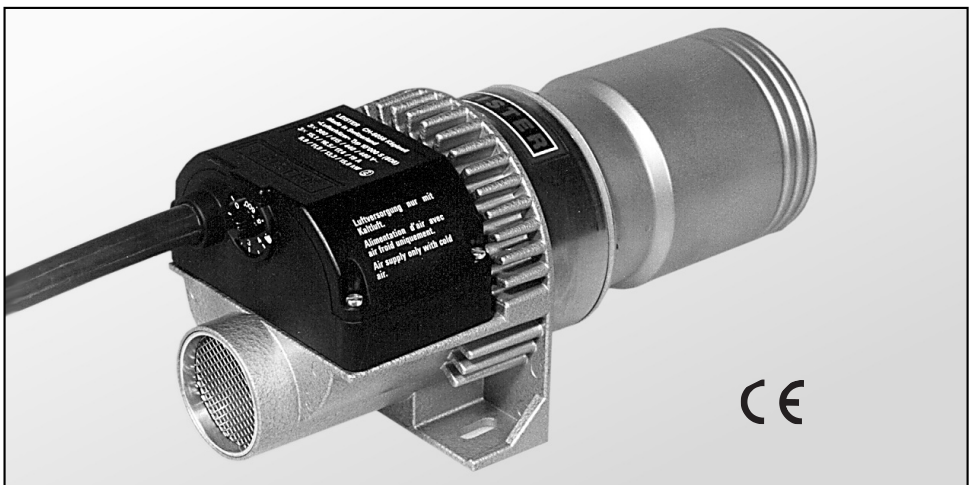
Electric Hot Air Tool



Please read operating instructions carefully before use and keep for further reference.

APPLICATION

- The LEISTER Hot Air Tool type 10000 S is suitable for building into machines, installations or appliances and is designed for continuous operation.
- **Drying and heating processes** of various types.
- **Shrinking and welding** packaging films and moulded parts.
- **Heating** conveyor ovens or heat tunnels.
- **Activating and loosening** solvent free adhesives and melt adhesives.
- **Sterilizing** packaging materials such as bottles, corks and containers.
- **Separating and fusing** synthetic fibres and fabrics.
- **Soldering processes** on thin metal parts.
- **Soldering and de-soldering** SMD and thru-hole components.
- **Speeding up** mixing processes and **dissolving** foams which can arise during mixing and filling operations.
- **Welding** thermoplastic materials.
- **Removing** plastic mould flash and putting a **shine** on plastic surfaces.





WARNING



Danger! When opening up the tool, live components and connections are exposed. Therefore, before opening it, unplug the tool to ensure disconnection from the mains.



Incorrect installation and use of hot air tools can present a **fire and explosion hazard**. The specified minimum air flow must be absolutely adhered to.



Do not touch the element housing and nozzle when hot as they can cause **burns**. Do not point the hot air flow at people or animals.



CAUTION



The **voltage rating** stated on the tool should correspond to the mains voltage.



The tool should be earthed using a protective conductor.



Protect the tool from **damp** and **wet**.



The equipment should not be operated **without supervision**.

APPROVAL MARK

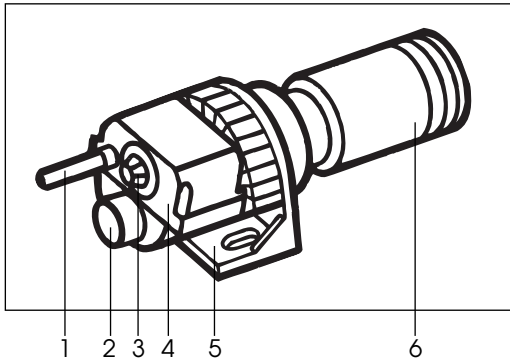


The tool has been **CCA** certified (**CENELEC Certification Agreement**)

TECHNICAL DATA

Voltage	V~	3 × 230			3 × 380–440		3 × 400	3 × 480
Frequency	Hz	50 / 60			50 / 60		50 / 60	50 / 60
Capacity	kW	5,5	8	10	5–7	10–13,5	17	8 16
Minimum air flow	l/min	500	700	1000	1000–1500	1750		
Maximum temperature	°C	650	650	650	650	650		
Ambient temperature	°C				<60			
Weight	kg				3,4			
Size	mm				308 × 135 × 144			

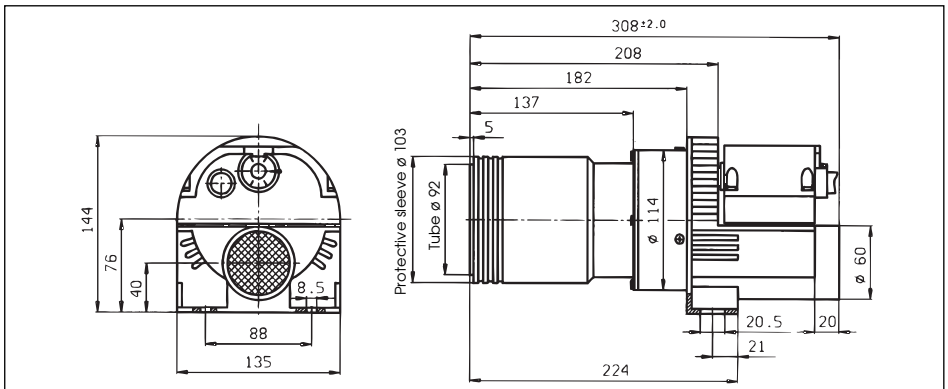
Description of tool



1. Protective sleeve for cable to mains
2. Air intake connection \varnothing 60
3. Potentiometer for temperature adjustment
4. Connection housing
5. Installation stand
6. Element housing with protective sleeve

Installation

- The tool should be fixed by using four M4 screws on the **installation stand (5)**.
- When installing the tool, ensure that:
 - only cold air is sucked in
 - no (warm air) back pressure develops
 - the hot air tool is not in direct line of another hot air tool.
- Protect the tool from vibration and shock.
- Installation dimensions in mm



Air supply

- LEISTER blowers must be used for the air supply (pay attention to the direction of rotation and the electrical connection).
- For use in a dusty environment the tool should be fitted with a LEISTER stainless steel filter on the air intake connection. Where a particularly critical dust problem exists (eg metal, electrically charged or damp dust) special filters must be used to avoid short circuiting the tool.
- The hot air tool should only be supplied with air up to a max. 50°C.
- The minimum air flow must be observed (see page 2).

Operation

- Connect tool to the mains.
- The mains connection cable should have the corresponding cross section area of conductor and should be fitted by a specialist.
- As required, push-fit appropriate nozzle or reflector.
- Adjust the hot air temperature via the **potentiometer (3)**.
- Make sure that the hot air can flow freely (fire hazard).
- The LEISTER Company, as well as the authorized Sales and Service Centres, offer advice and an introduction to the areas of application of hot air tools, free of charge (see page 1).
- After use, allow the tool to cool down by letting cold air flow through it (preventing warm air back pressure).

CAUTION:

- * *The mains connection should have a suitable **double pole isolator with a 3 mm distance between contacts**.*
- * *The temperature control of the tool corresponds to the risk grade 1 according to EN 954. For higher power demand additional safety precautions have to be taken according to the risk grade.*

ACCESSORIES

- Only LEISTER accessories should be used.

SPECIAL FEATURES

- Temperature adjustment by external potentiometer.
- Temperature control by external DC voltage (VDC).
- Temperature control by additional LEISTER cascade controller (should only be fitted and adjusted by the LEISTER Company).

SERVICE AND REPAIR

- Repairs have to be carried out by authorised **LEISTER Service Centres** only. They guarantee a specialized and reliable **repair service within 24 hours** using original LEISTER spare parts.

GUARANTEE AND LIABILITY

- Guarantee and liability are in accordance with the guarantee certificate as well as with the currently valid general business and sales conditions.
- LEISTER Process Technologies rejects any guarantee claims for tools which are not in their original condition. The tools must never be altered or changed.

Technical data and specifications are subject to change without prior notice.

Your authorized Service Centre is:

LEISTER Process Technologies, Riedstrasse, CH-6060 Sarnen / Switzerland
Tel. +41 41 662 74 74 Fax +41 41 662 74 16 www.leister.com sales@leister.com